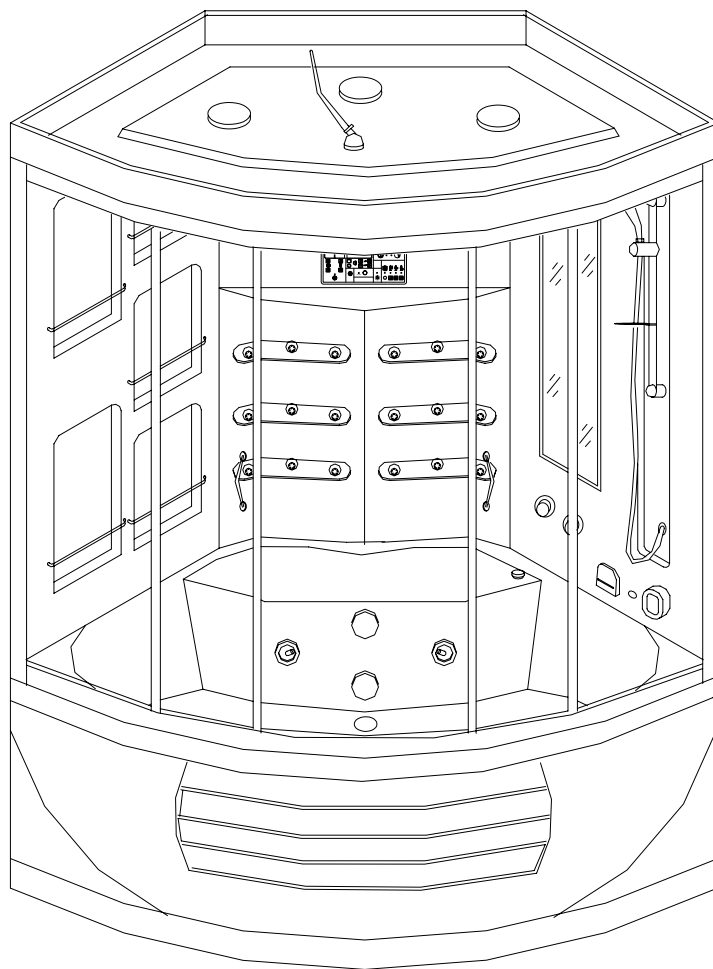


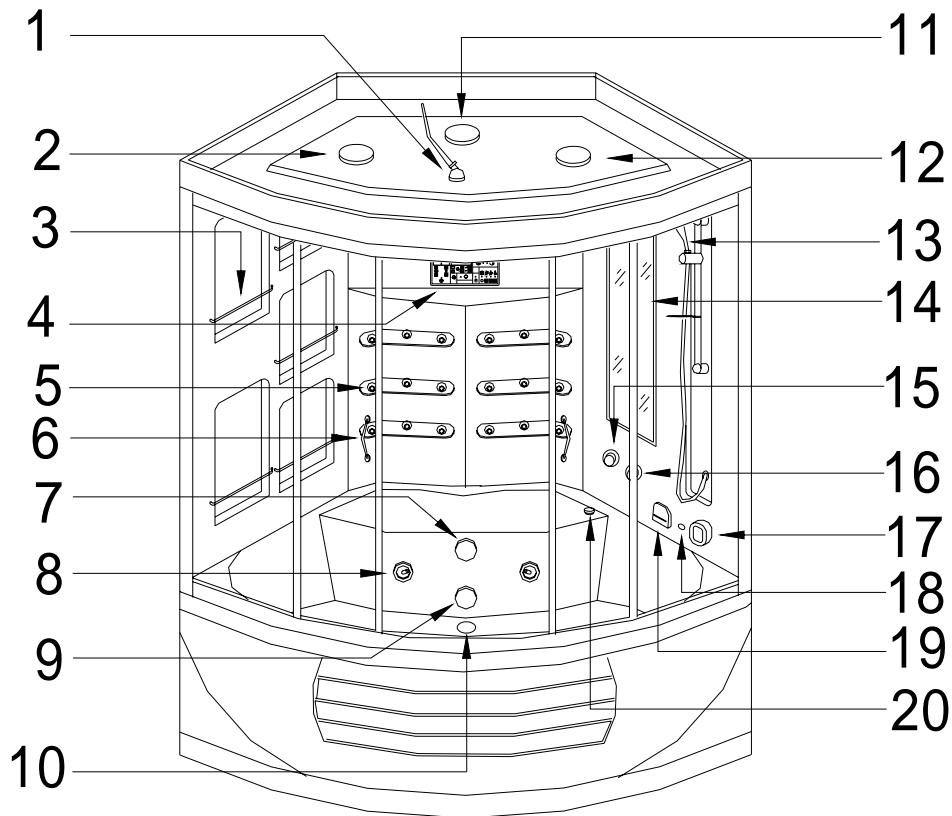


ZAA216 INSTALL INSTRUCTION





ZAA216 INSTALL INSTRUCTION

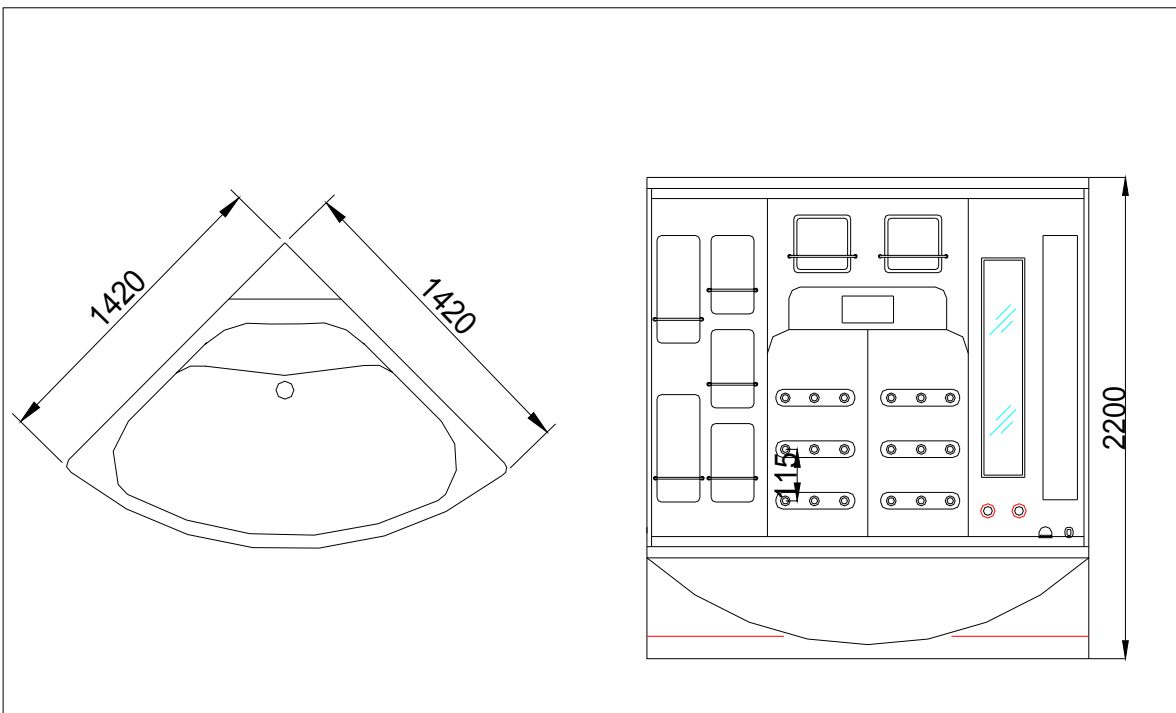


Form of function:

- | | |
|------------------|------------------------|
| 1.Monsoon Head | 11.Light |
| 2.Exhaust | 12.Loudspeaker |
| 3.Towel rail | 13.Shower Head |
| 4.Control | 14.Glass |
| 5.Jets | 15.Temperature control |
| 6.Handles | 16.Change button |
| 7.Overflow | 17.outlet steam |
| 8.Whirlpool Jets | 18.Steamer drain |
| 9.Backwater | 19.Taps |
| 10.Drain | 20.Air control knob |



ZAA216 INSTALL INSTRUCTION



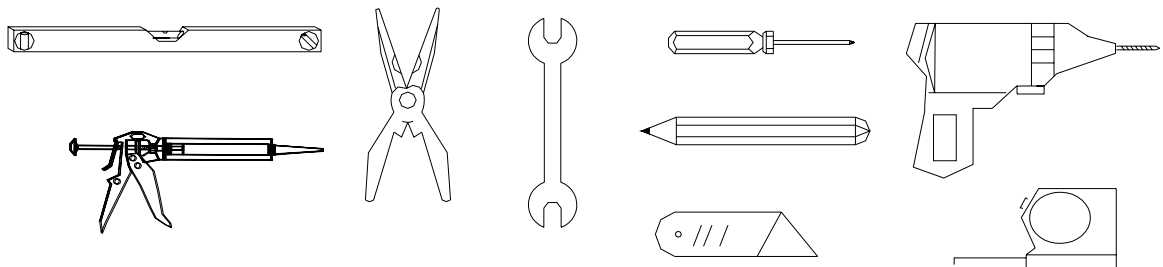
- 1、 Size:1420 x 1420 x 2200 mm
- 2、 Water inlet pipe size:0.6 inch
- 3、 Drain pipe size:1.2 inch
- 4、 Power:4 KW
- 5、 Voltage:110V
- 6、 Power Frequency:60 Hz



ZAA216 INSTALL INSTRUCTION

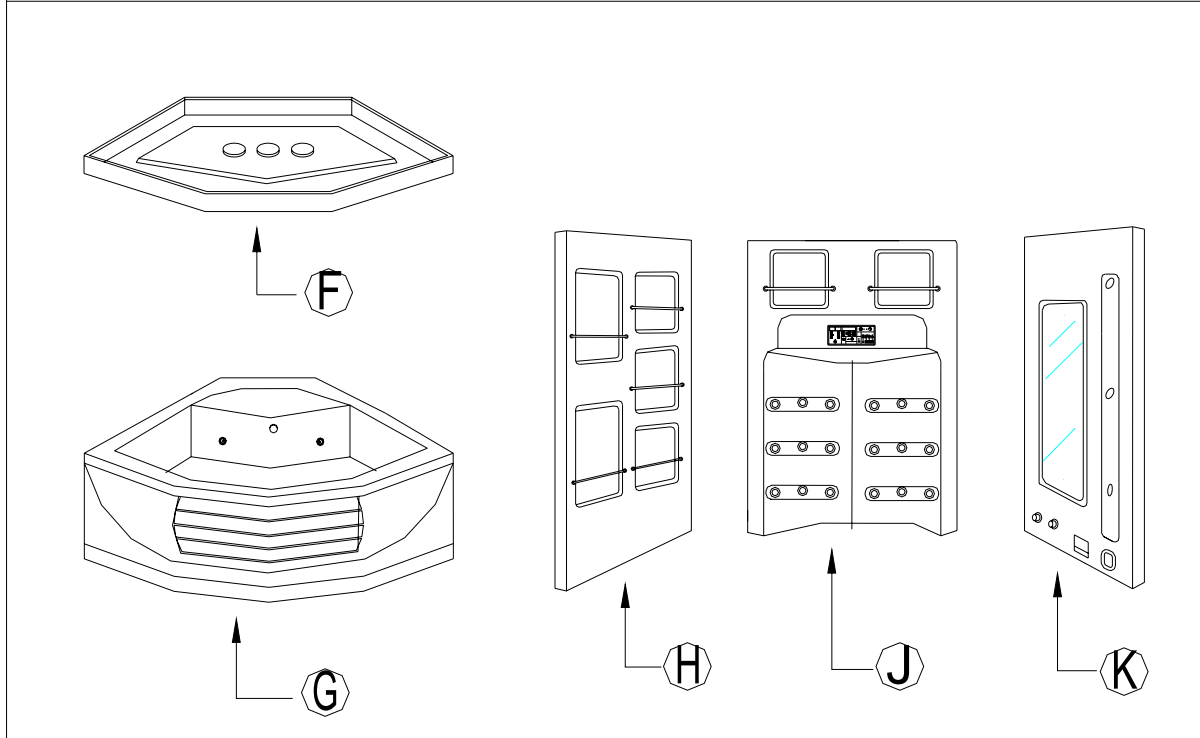
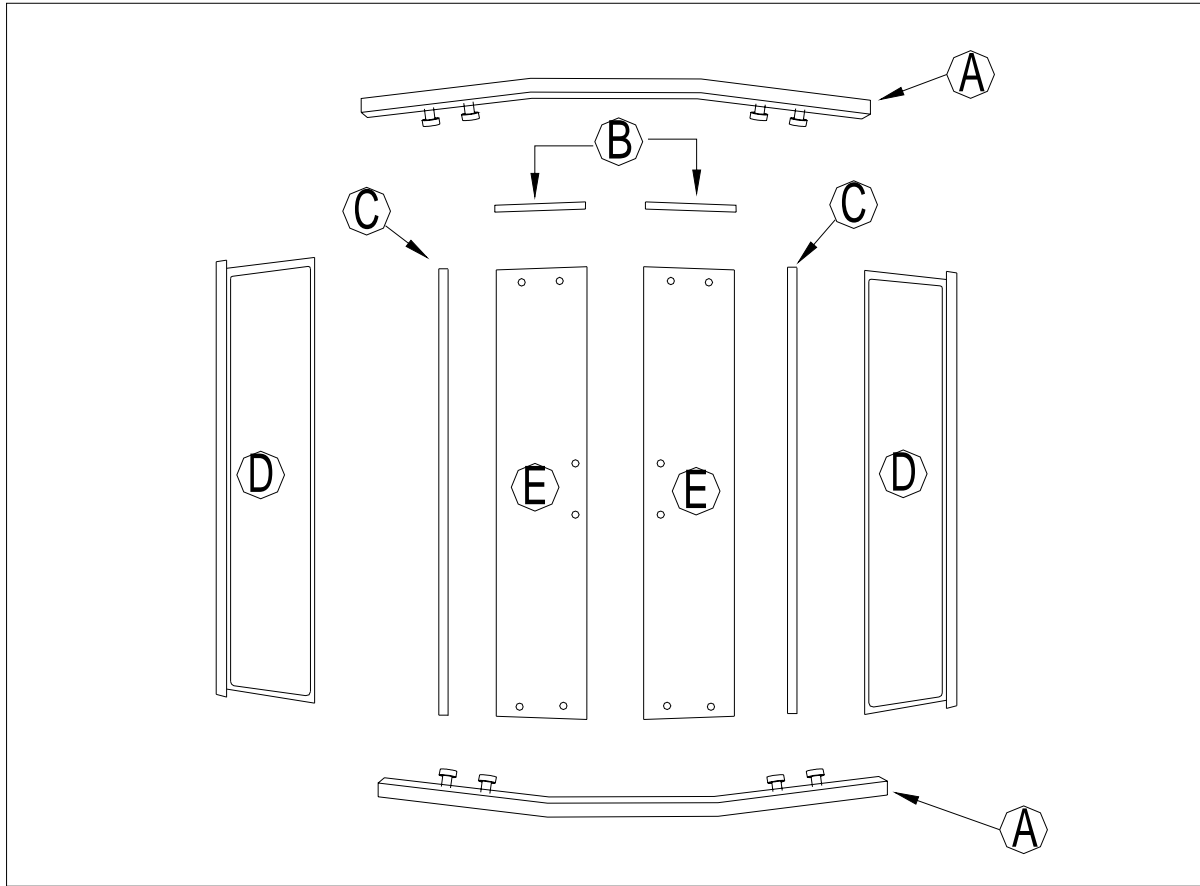
SCREW PACK (1)	M5x25		12
SCREW PACK (2)	M5x35		10
SCREW PACK (3)	M4x50		8
	M4x60		4
SCREW PACK (4)	M5x40		5
	M4x16		12
SCREW PACK (5)	M4x30		10
	M4x35		5

Installation Tools



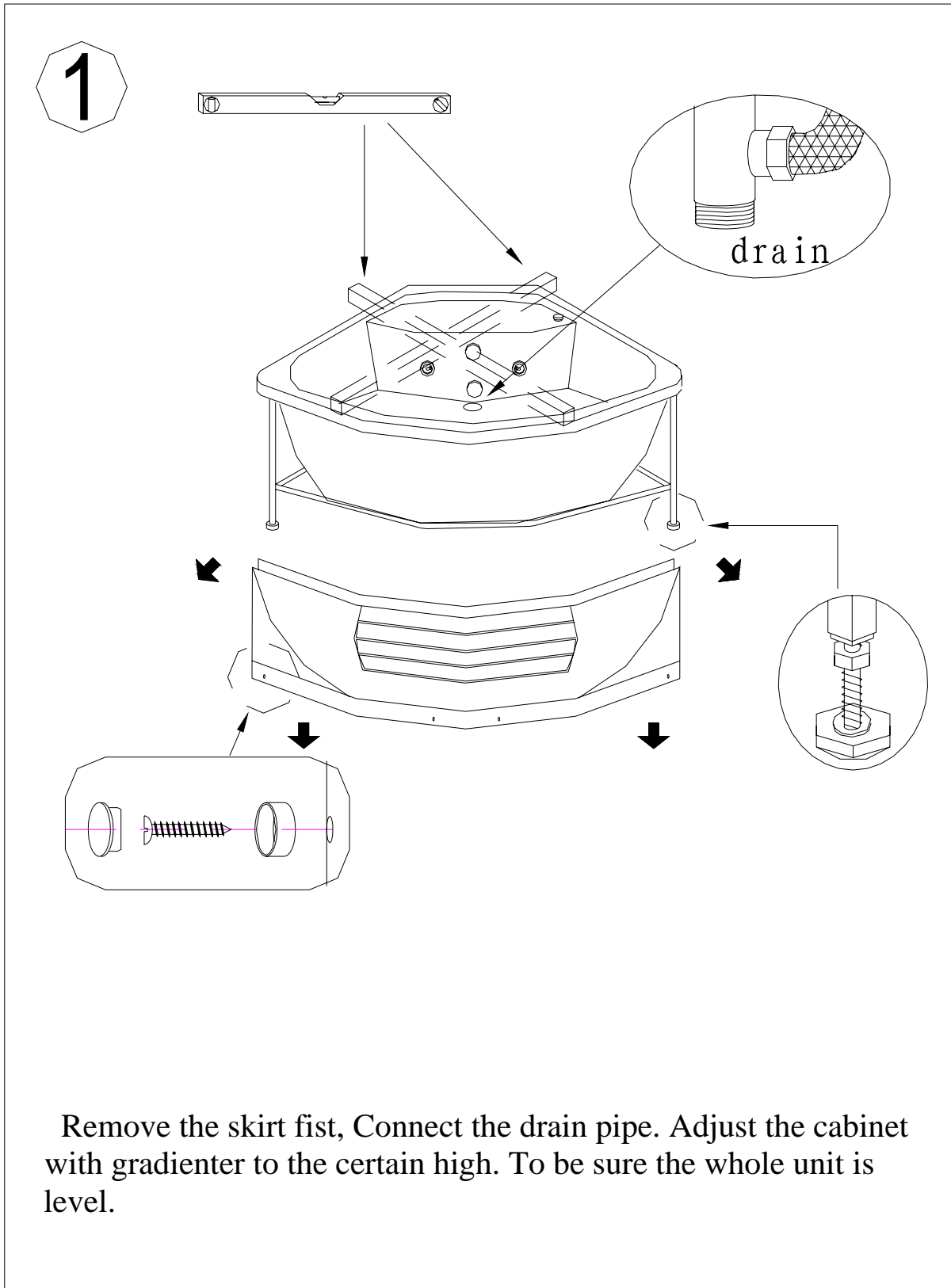


ZAA216 INSTALL INSTRUCTION





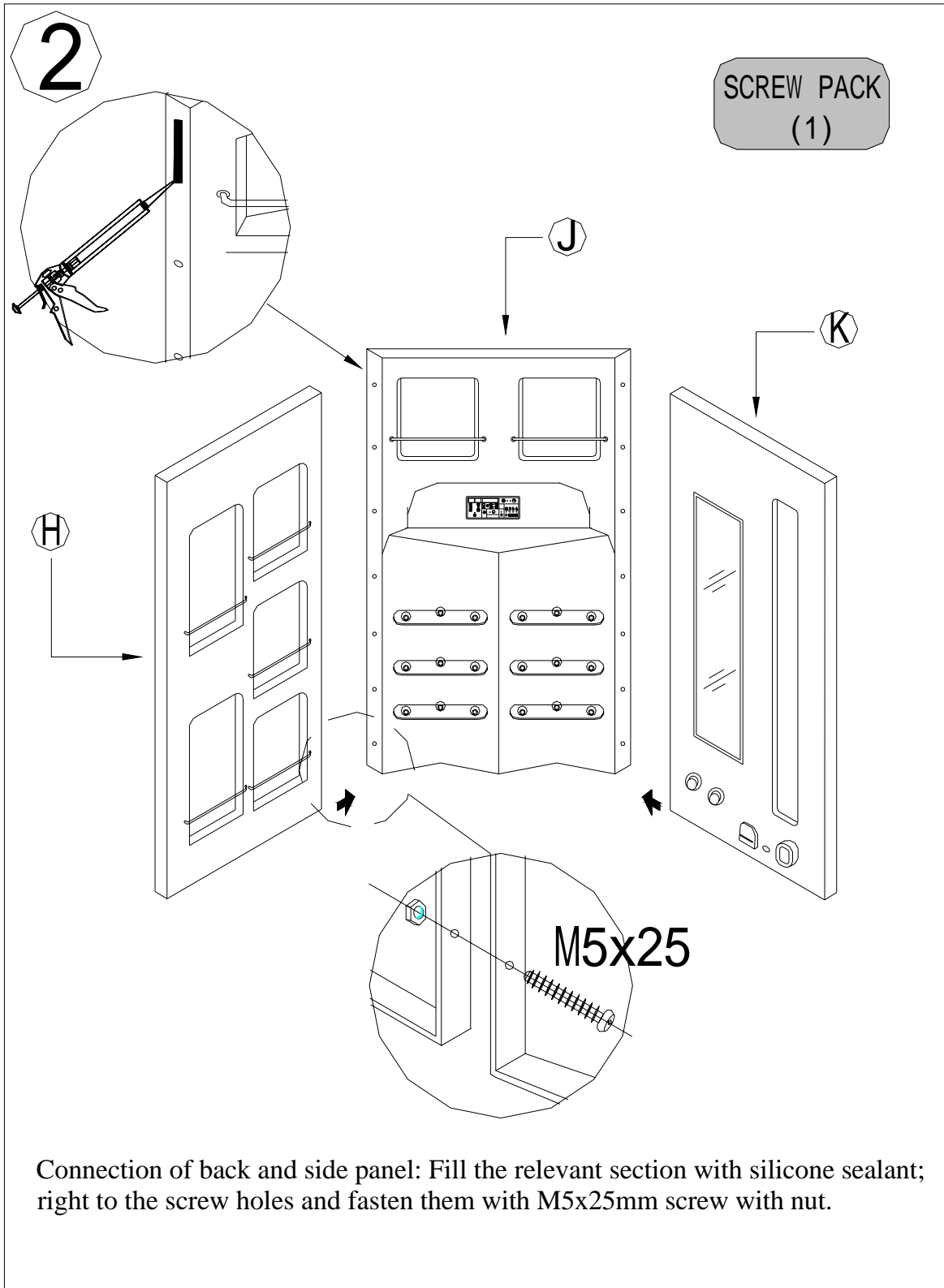
ZAA216 INSTALL INSTRUCTION



Remove the skirt fist, Connect the drain pipe. Adjust the cabinet with gradienter to the certain high. To be sure the whole unit is level.

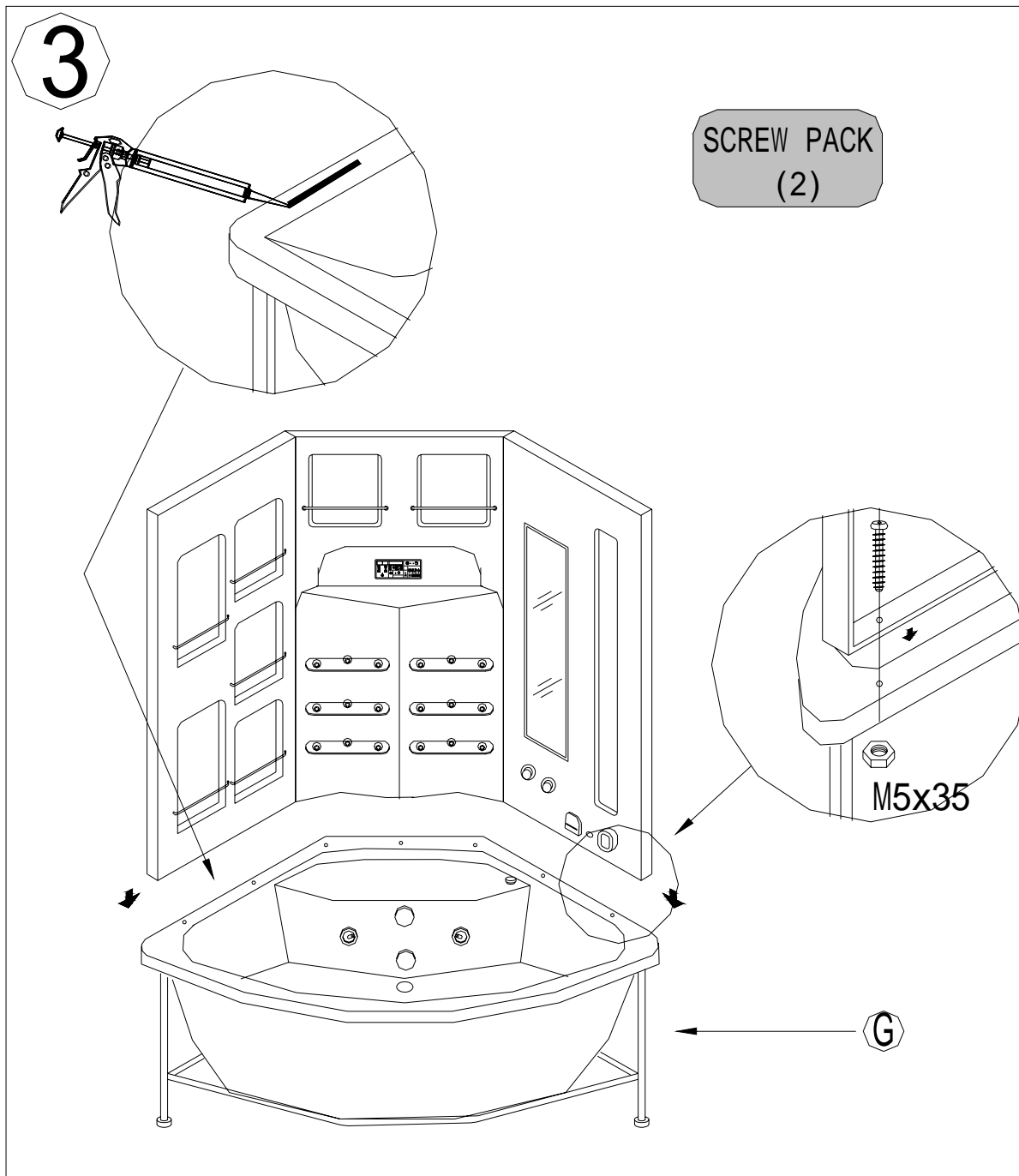


ZAA216 INSTALL INSTRUCTION





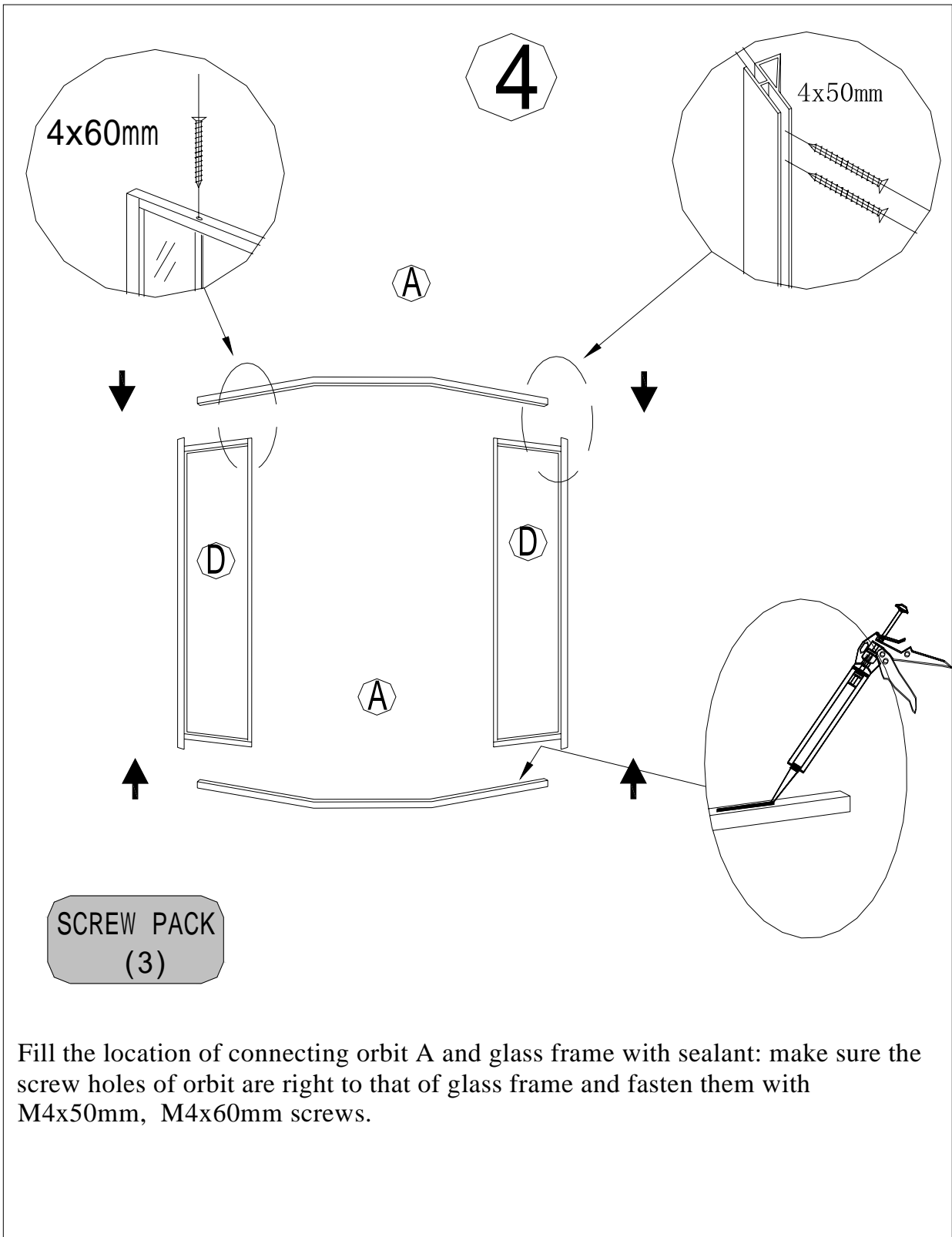
ZAA216 INSTALL INSTRUCTION



Fill the location of connecting tray and back with sealant: make sure the screw holes of back are right to that of tray G and fasten them with M5x35mm screws.

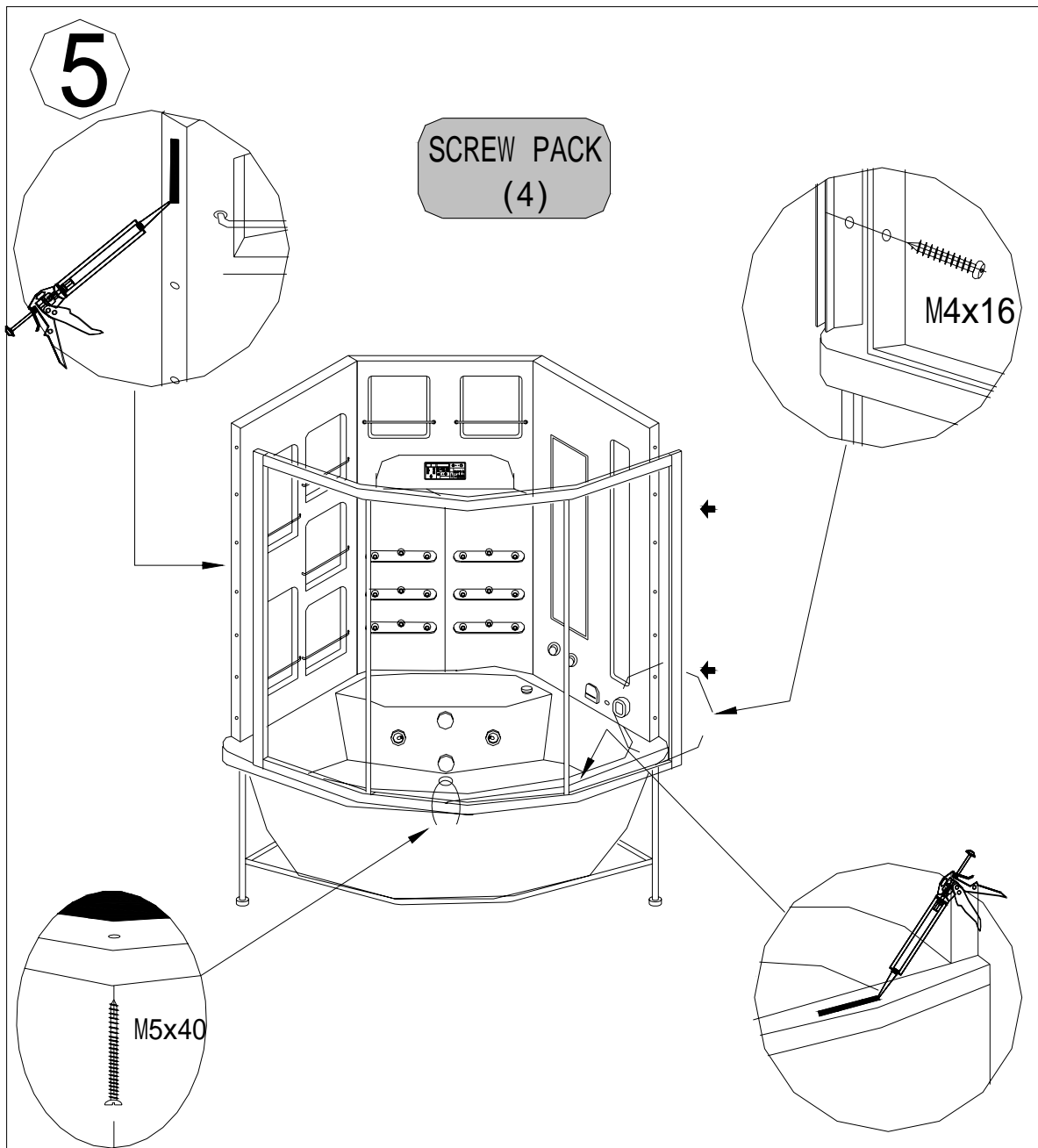


ZAA216 INSTALL INSTRUCTION





ZAA216 INSTALL INSTRUCTION

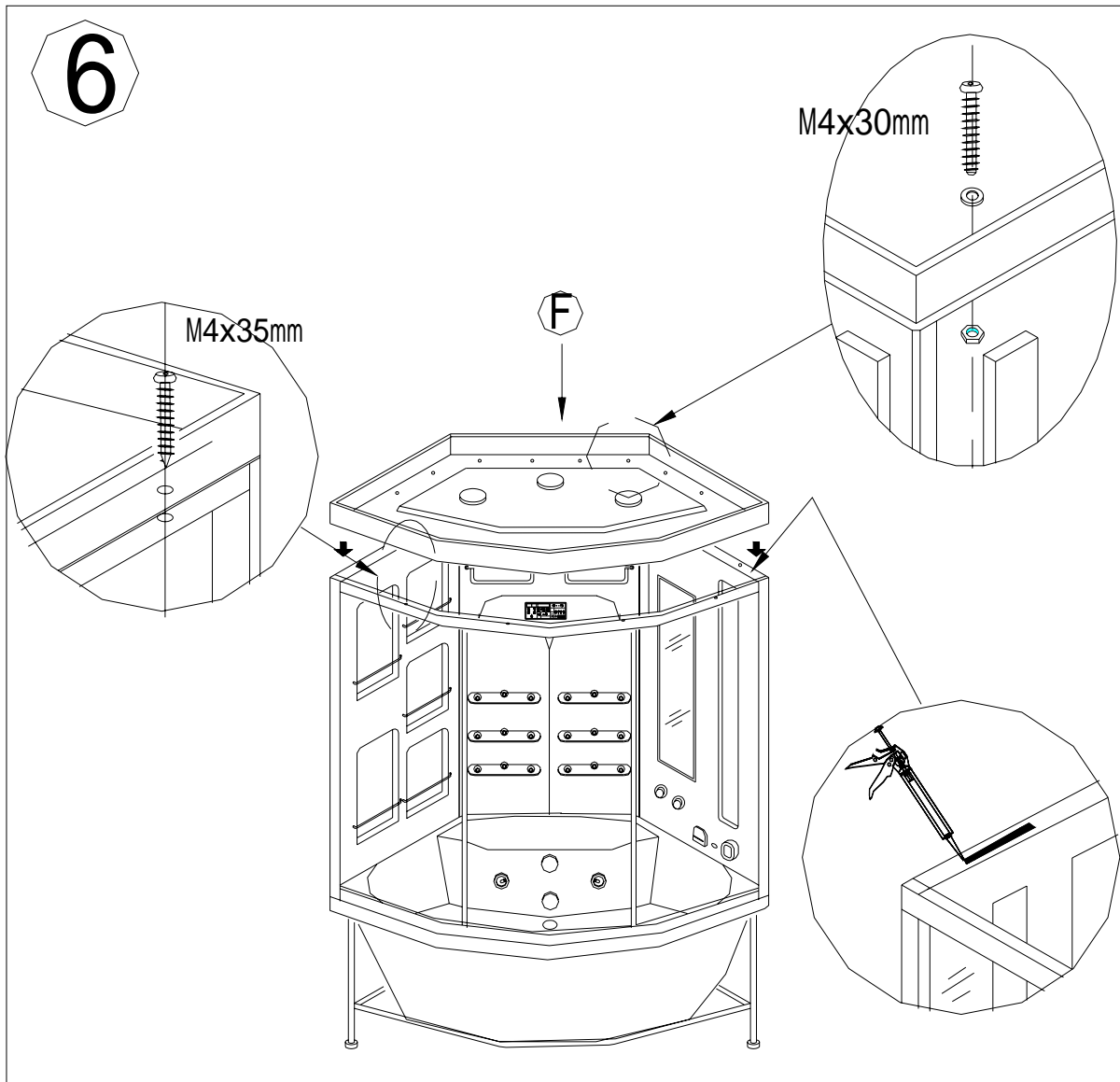


Put the front glass frame onto the massage bathtub, right to the holes of side panel and massage bathtub. Insert the groove of doorframe into the convex of side glass, fill with sealant or sealant strips and fasten with M4x16mm and M5x40mm screws.



ZAA216 INSTALL INSTRUCTION

6

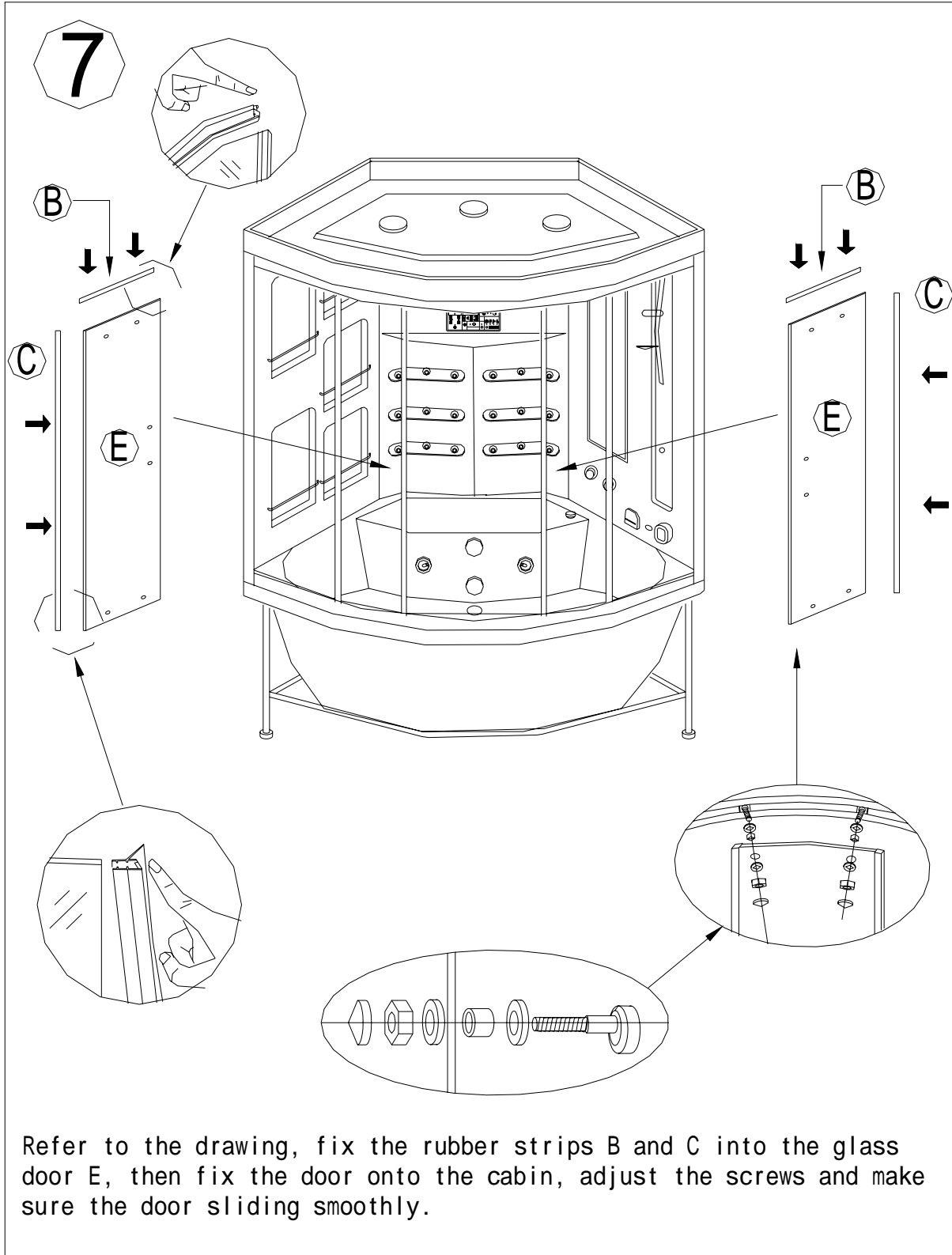


SCREW PACK
(5)

Put the roof onto the cabins and join the connection with sealant or sealant strip.
And fasten with M4x30mm and M4x35mm screw.



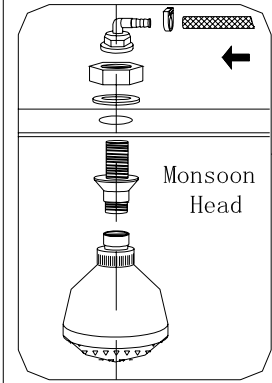
ZAA216 INSTALL INSTRUCTION



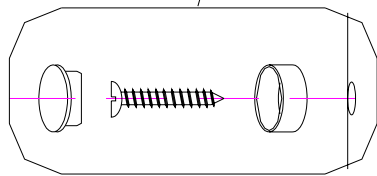
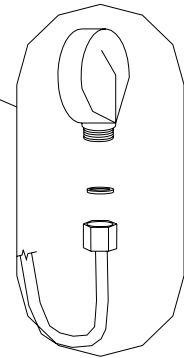
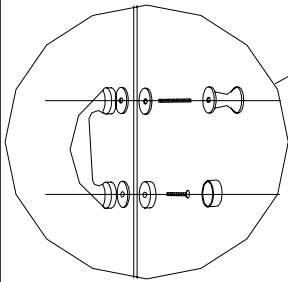
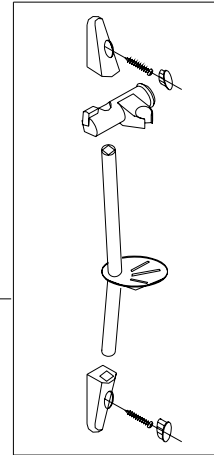


ZAA216 INSTALL INSTRUCTION

8



Monsoon Head



Fix handles and shower riser rail , shower head ,monsoon shower head and connect control board,then,To install the skirt.