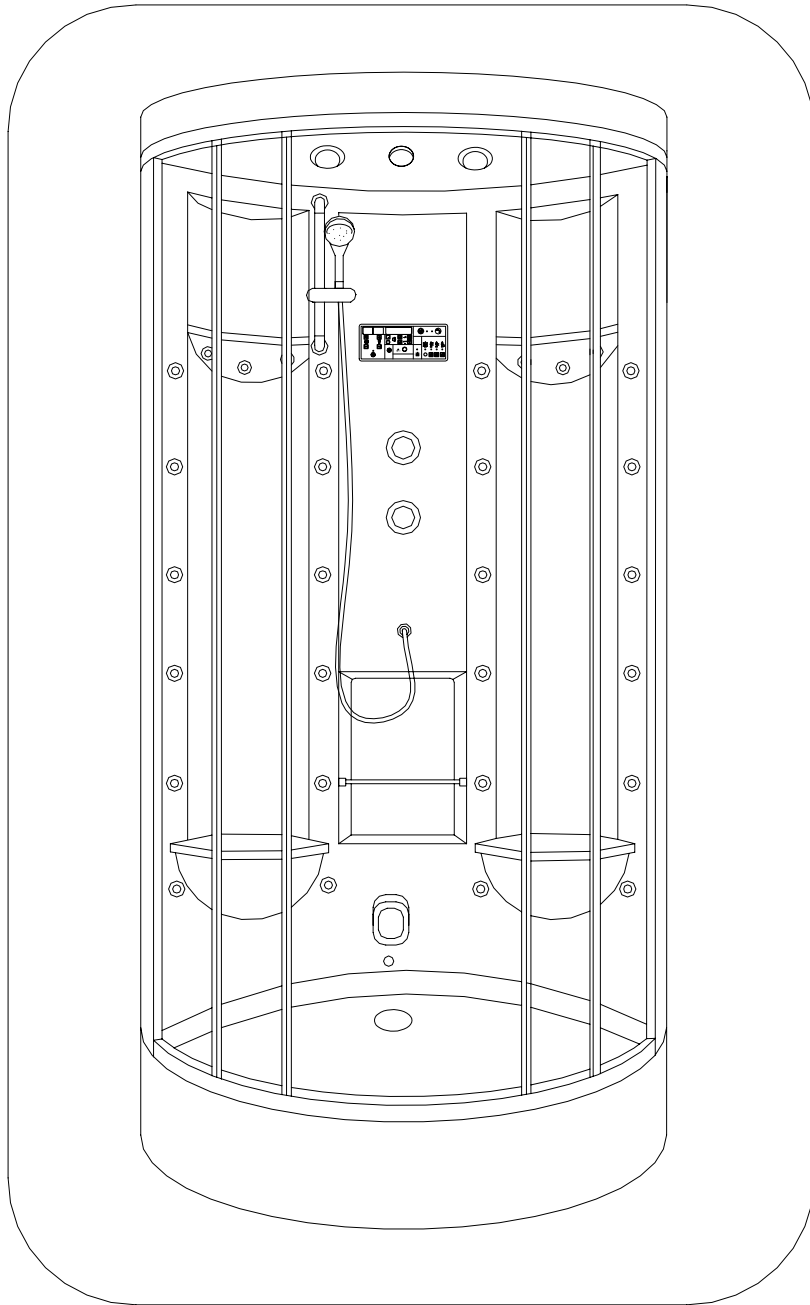


Steam Cabin

# Use Instruction



MODEL: ZA209

**Welcome to use our products! Please do understand the instruction of safety, use guide and maintenance of the products before you install and use it. Keep this use instruction!**

This multi-functional steam shower cabinet is easy to assemble and use, featuring computerized control system, hydro-massage, aromatherapy, shower, exhaust fan, light, FM radio and CD connector. It is first choice for shower product in household and hotel. The high-speed and high-efficiency steam generator can save time and energy. Steam comes out within a couple of minutes. Steam shower can jump your body temperature sharply, expand capillary, expedite blood and lymph circulation, eliminate fatigue, relax and refresh your body. It also can clean thoroughly the grease, dirt and bacteria on the skin so your skin can absorb oxygen and will be soft and elastic.

Aromatherapy can help sleep and recover from illness, regulate respiratory tract, smooth muscle sore, also delay the aging of physiology. Please consult your physician about the detail.

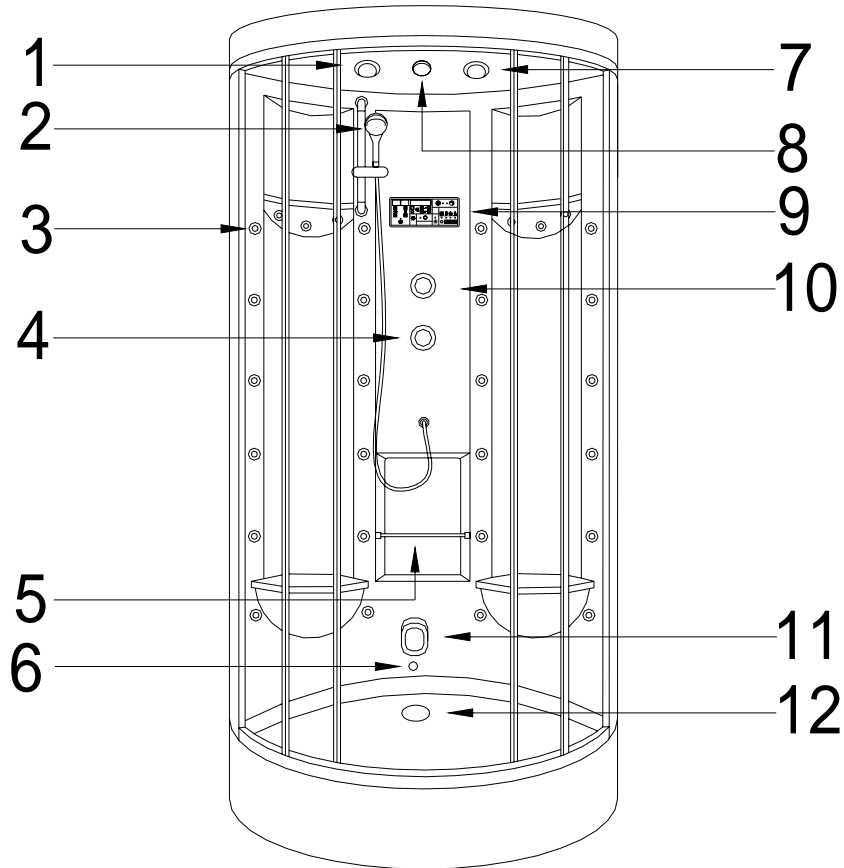
Time and temperature setting function is convenient for the bather to set the preferred time and temperature for steam bath!

## INSTALL AND USE INSTRUCTION

1. This product is a kind of assembly product. While purchase, check whether the accessories are complete or not, or else, contact the local distribution at once.
2. While install, please make sure you use correct screw referring to the number. Do not mistake them in order to prevent the damage of the aluminum material.
3. The drain pipe should be inserted into the drain inner part which is no less than 150mm. The drain should be placed reasonably to assure that drain works smoothly and fit for the max flow demand.
4. When use it, if the door not slide smoothly, you can put some lubricants into the wheels, and repeat sliding the door several times. It works smoothly after you do that.
5. When showering, do not use fanner and electrical appliances inside the shower enclosure, in case of getting an electric shock.
6. For daily cleaning, please use general liquids wash and soft cloths, don't not use liquids of Ketone and chlorine. If the surface of the item has silicone remainder, use soft cloth with gas to wipe it off.
7. When move it, please take care, no weigh on and prevent machine collision and strong vibration.
8. Power requirement: 110V/60HZ
9. The steam cabinet should be grounded.
10. This steam cabinet should be used indoor only.
11. Adjust the mixer properly to avoid scald.

12. To avoid moving, the steam cabinet should be installed on level, but not slippery floor
13. The children should not use this steam cabinet themselves without adults' supervision.
14. If the cabinet surface becomes dirty, use wet towel to clean it.
15. If any scratch is found on the acrylic surface, polish with #1500 to #2000 sandpaper, then apply toothpaste and rub with soft.
16. Do not use detergent containing chemical solution or granules, or appliance with rough surface to clean the steam cabinet.
17. Never put the steam cabinet near organic solution like formic acid, formaldehyde.
18. Do not use blunt or knife to scratch the cabinet surface.
19. Keep the steam cabinet ventilated if it won't be used for a long time.
20. Don't touch the steam nozzle as the temperature is very high and cause scald.
21. Do not try to take apart the control box or modify this steam cabinet. Please contact professionals for service.

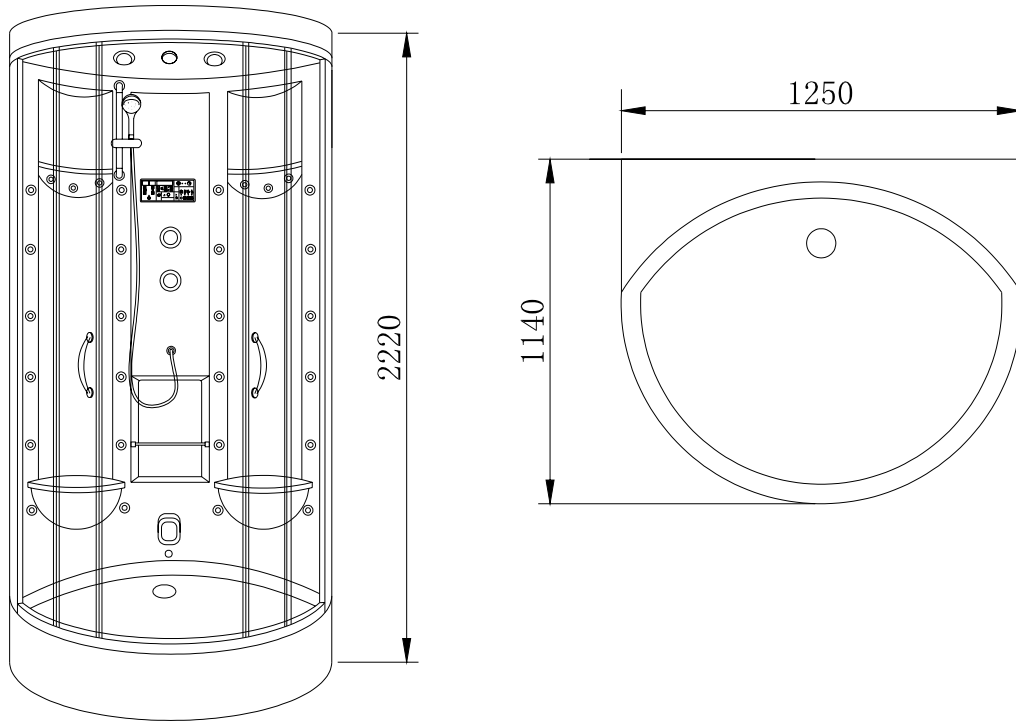
# Features



Form of function:

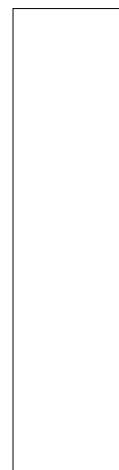
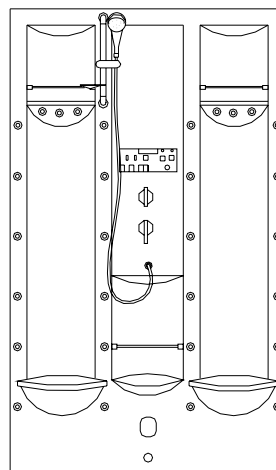
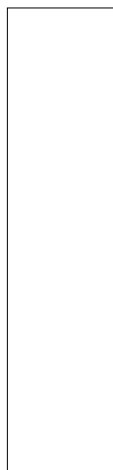
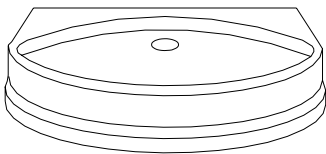
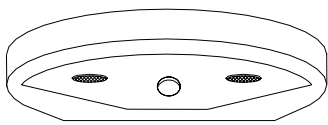
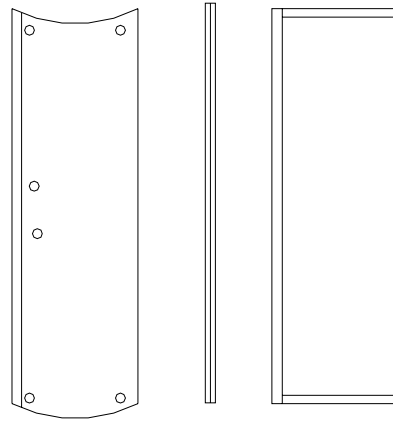
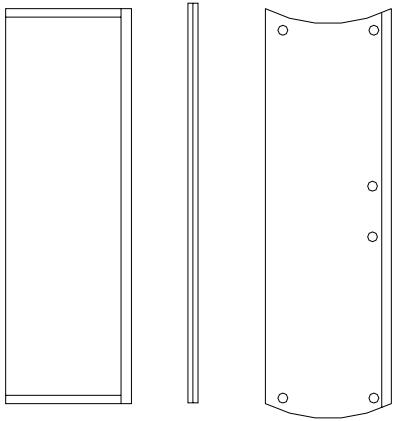
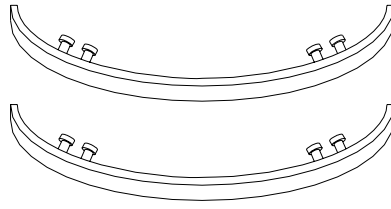
- |                       |                  |
|-----------------------|------------------|
| 1.Exhaust             | 8.Light          |
| 2.Shower Head         | 9.Control        |
| 3.Jets                | 10.Change button |
| 4.Temperature control | 11.Outlet steam  |
| 5.Towel rail          | 12.Drain         |
| 6.Steamer drain       |                  |
| 7.Loudspeaker         |                  |

## Specification

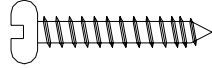
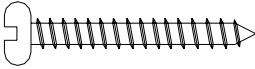
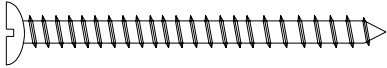
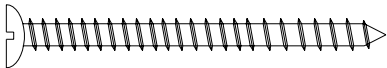
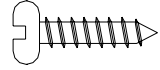
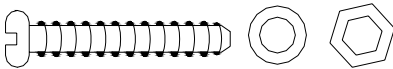
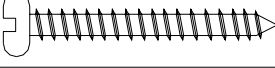
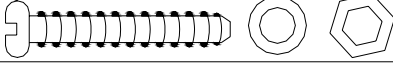
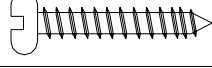
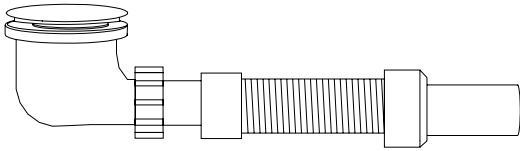


- 1、 Size:1250 x 1140 x 2220 mm
- 2、 Water inlet pipe size: $\frac{1}{2}$  inch
- 3、 Drain pipe size: $1\frac{1}{2}$  inch
- 4、 Power:3 KW
- 5、 Voltage:110V
- 6、 Power Frequency:60 Hz

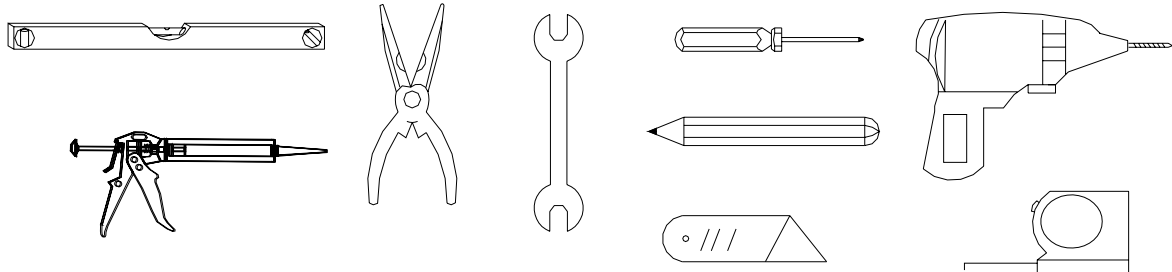
# Parts list



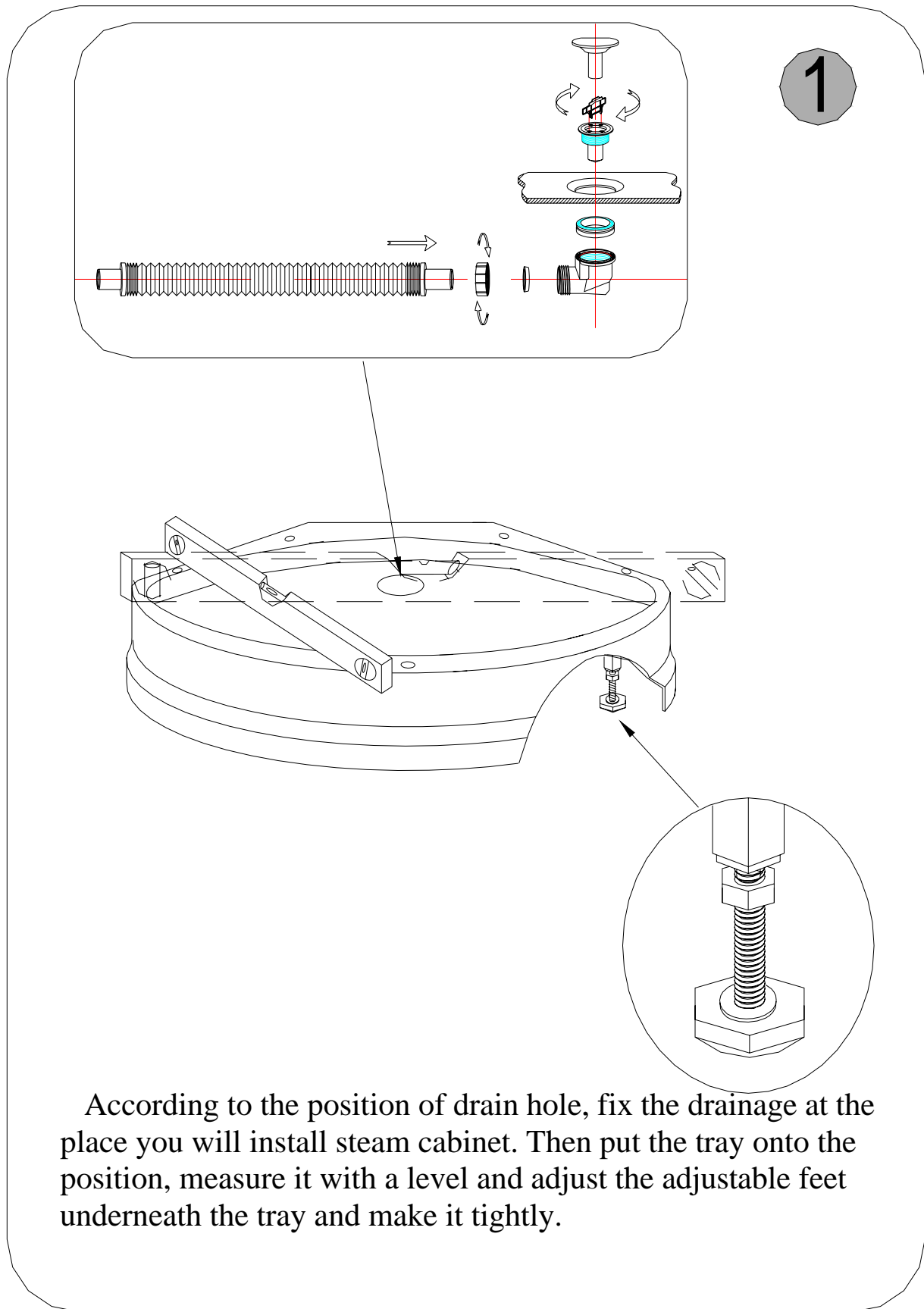
## Screw pack

SCREW PACK (1)	M5x25		6
SCREW PACK (2)	M4x30		8
	M4x60		4
SCREW PACK (3)	M5x60		1
	M4x16		14
SCREW PACK (4)	M5x35		6
	M4x35		4
SCREW PACK (5)	M5x35		4
	M5x25		4
drainpipe			1

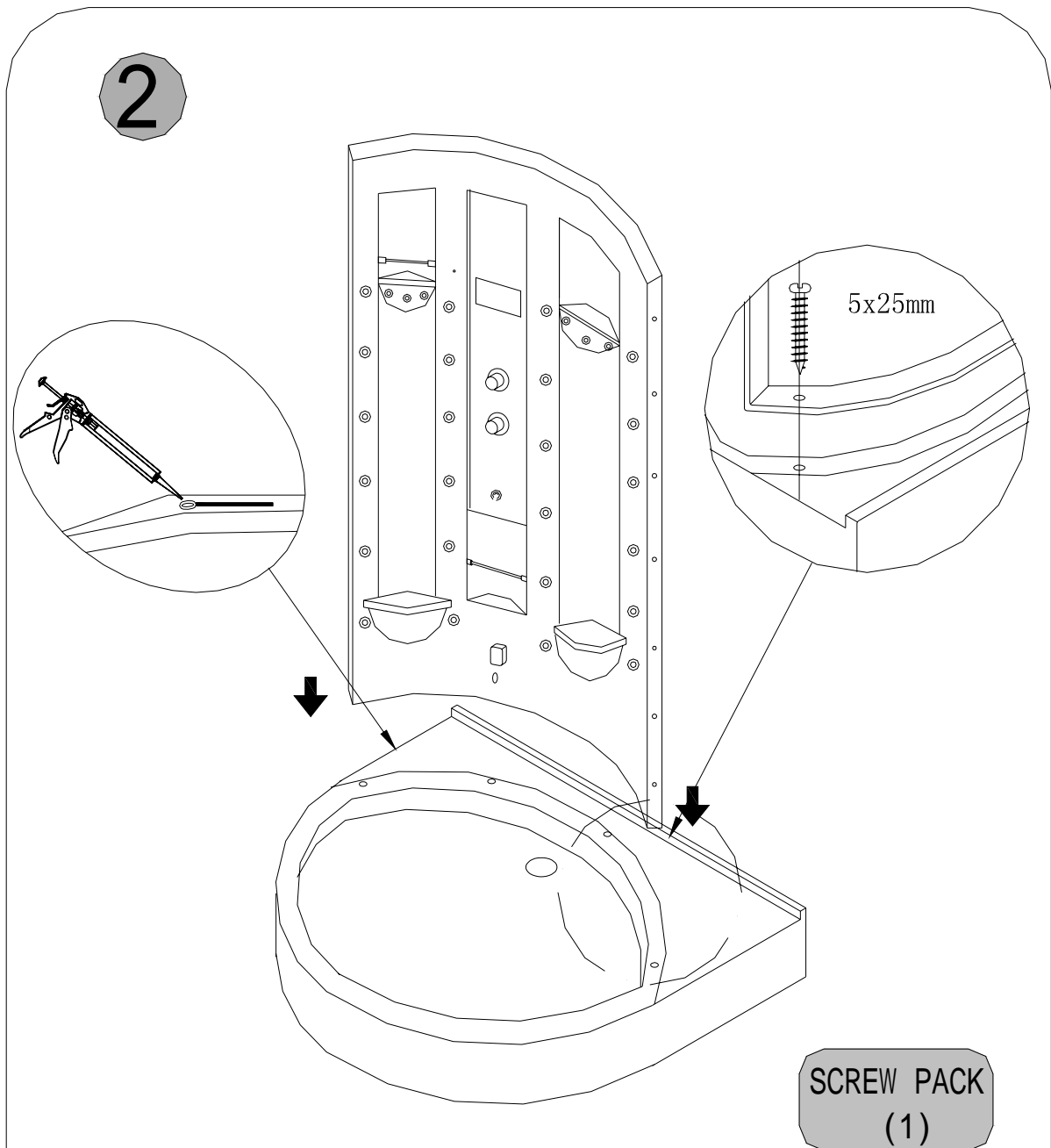
## Installation Tools



## Install tray



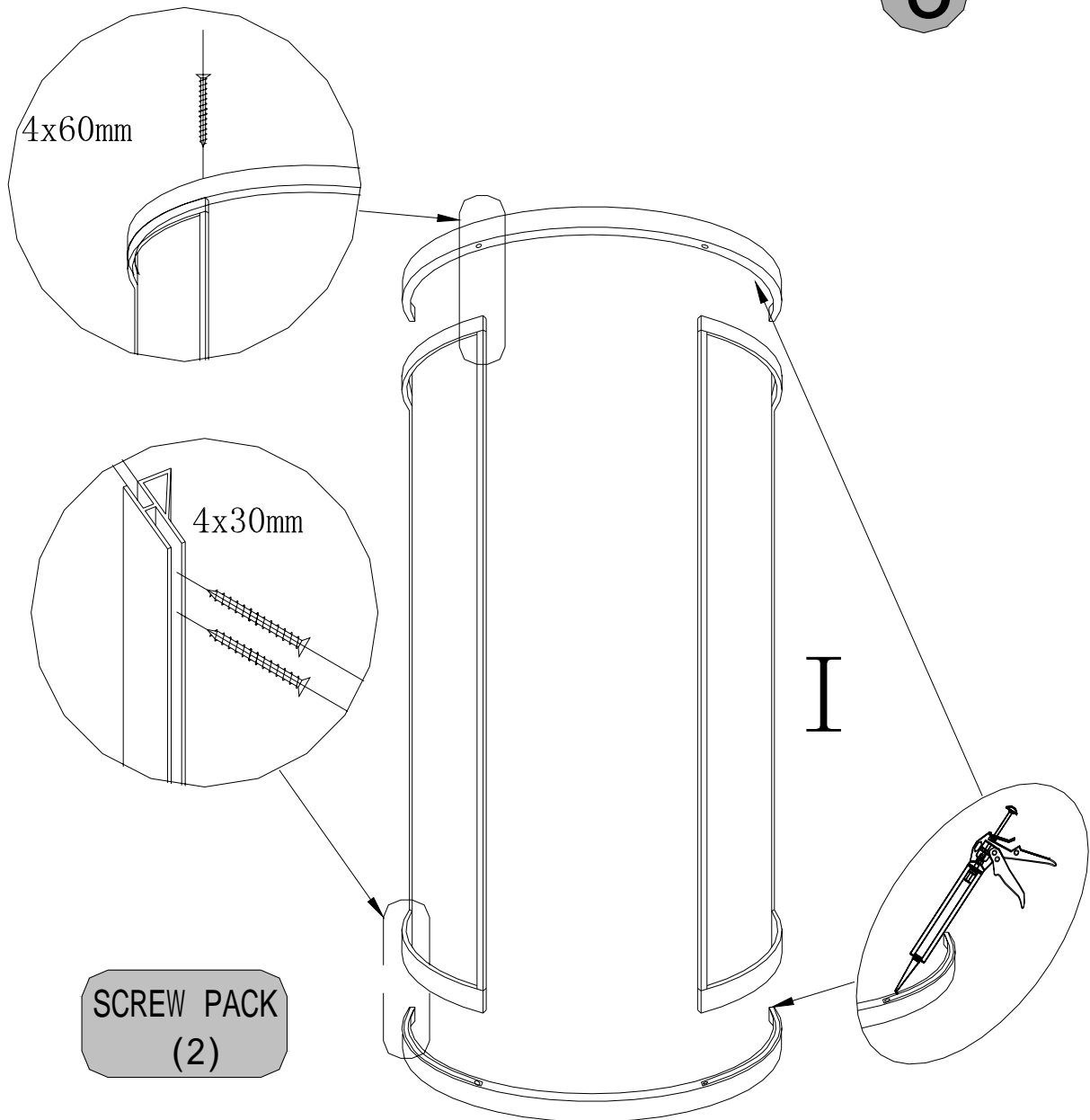
## Install back panel and tray



Seal with silicone sealant between the back panel and the tray, fasten with screw M5x25mm.

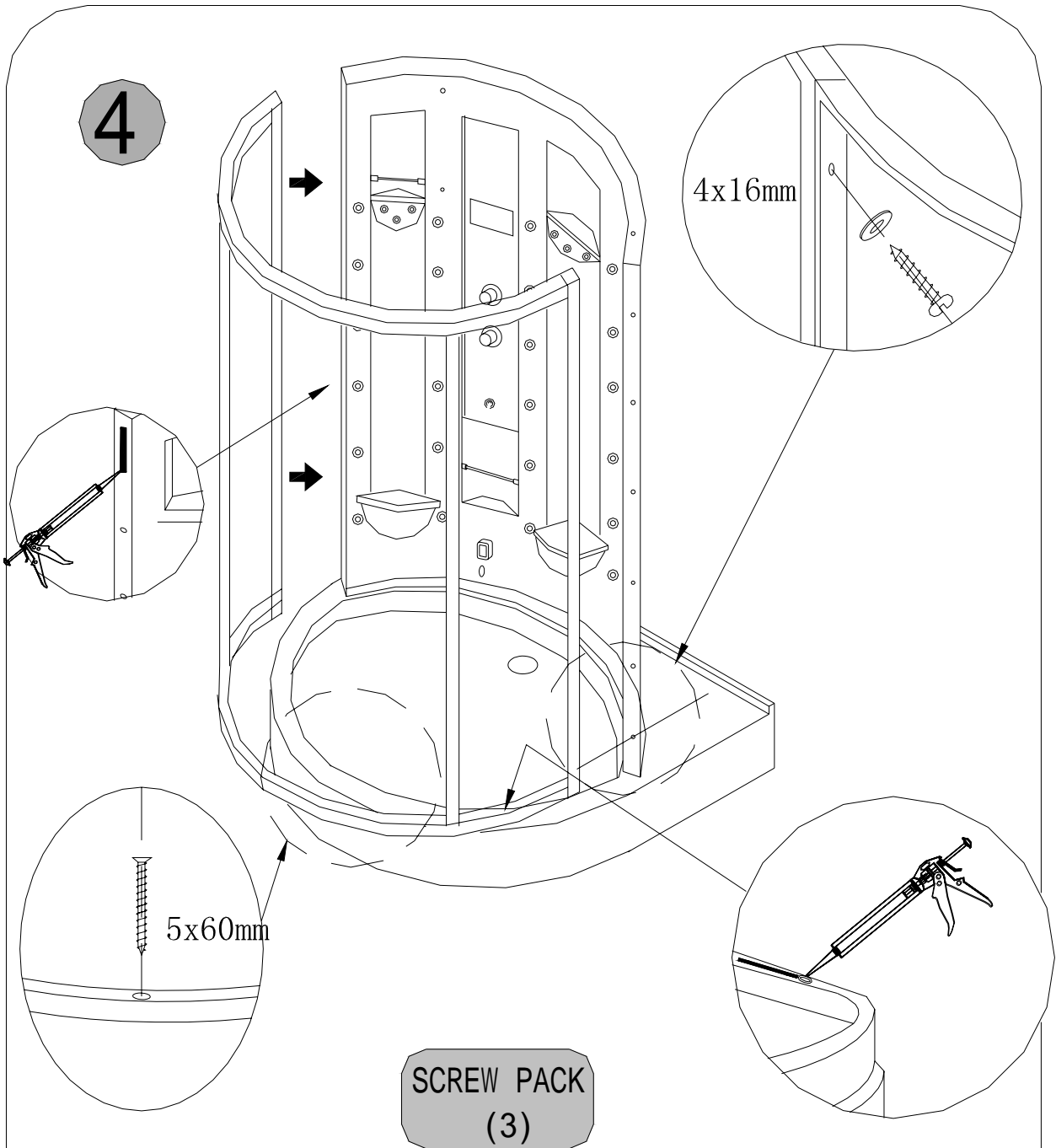
## Install front glass panel

3



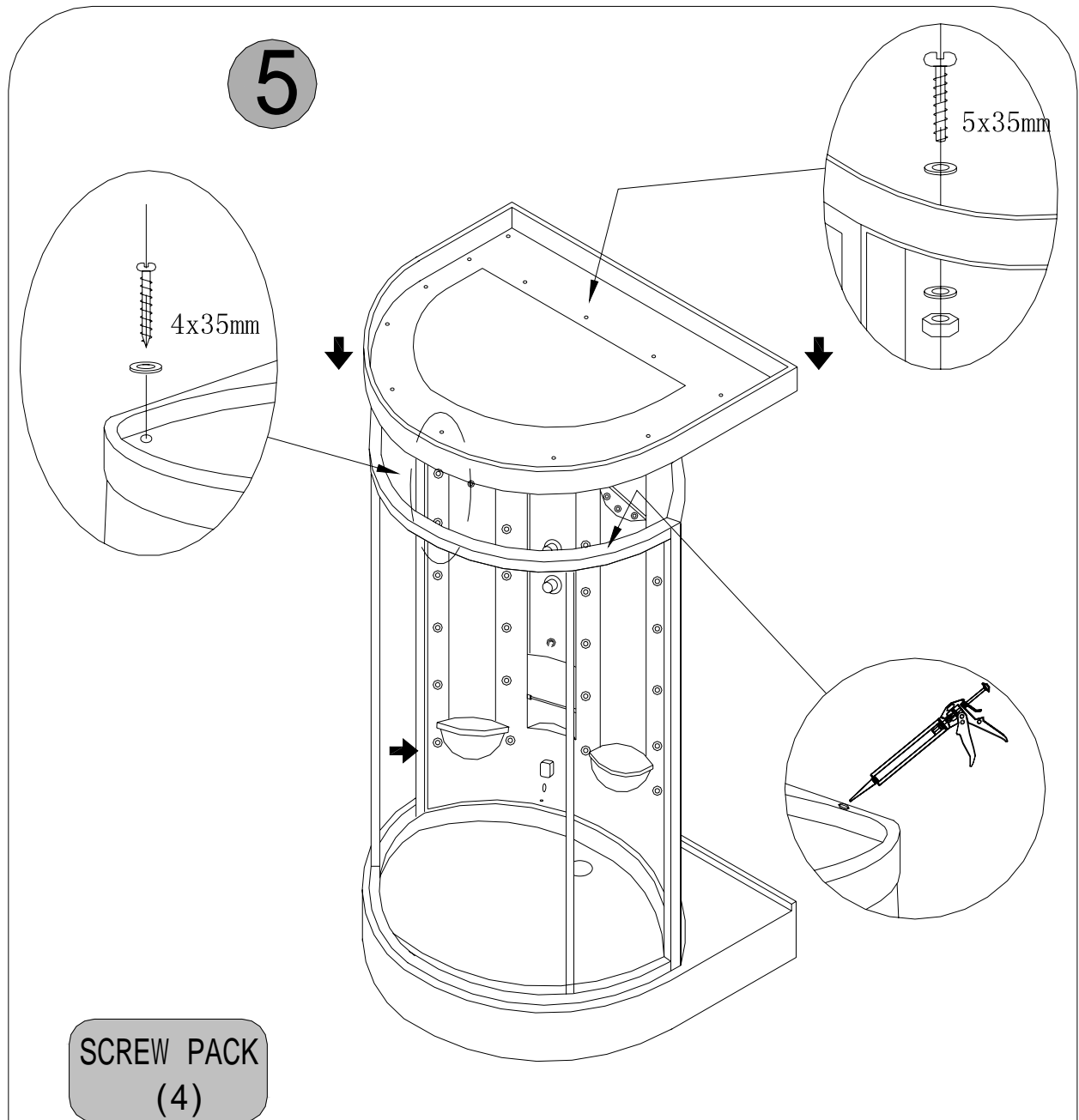
Fill the location of connecting orbit and glass frame with sealant: make sure the screw holes of orbit are right to that of glass frame and fasten them with 4X30mm, 4X60mm screws.

## Install the glass on the cabin



Seal with silicone sealant between L and the fixed glass, then fasten with screws M5x60mm and M4x16mm respectively.

## Install the roof

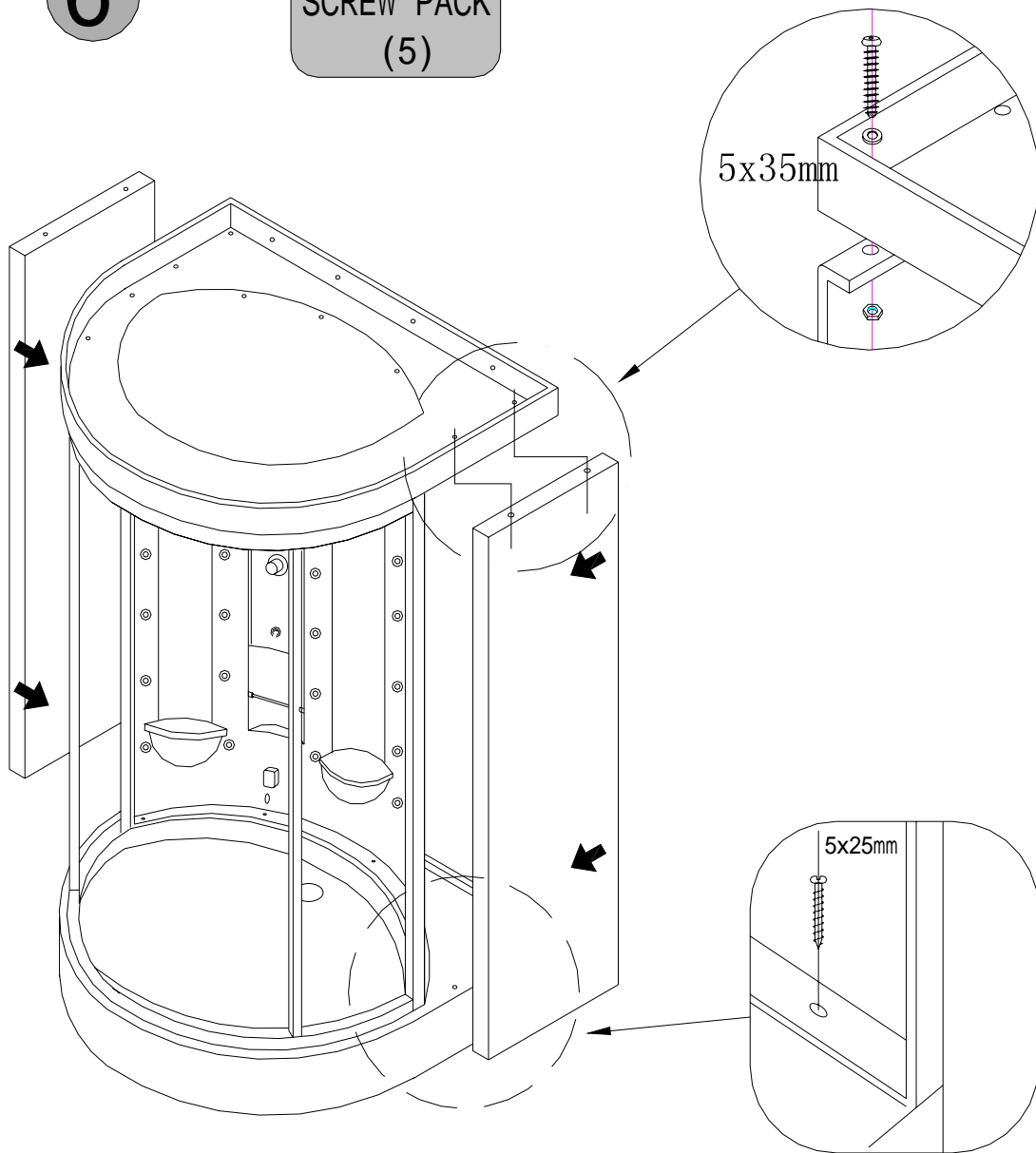


Seal with silicone sealant between and the cabinet, then fasten with screw M5x35mm and screw with nut M4x35mm.

## Install samll side panel

6

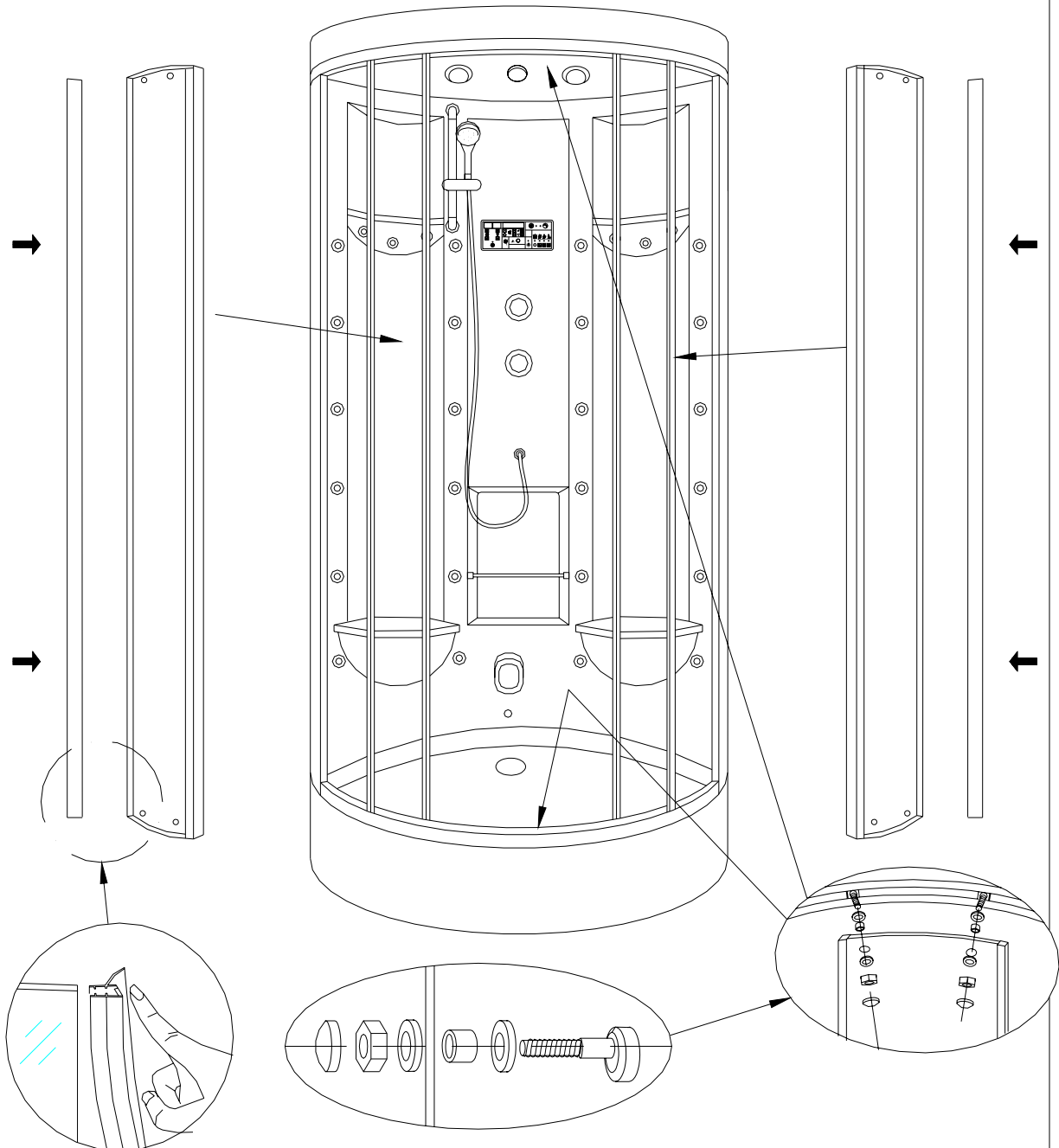
SCREW PACK  
(5)



Make sure the screw holes in is right into the screw holes in the cabinet orbit,fasten with screw M5X35mm and M5x25mm.

## Install glass door

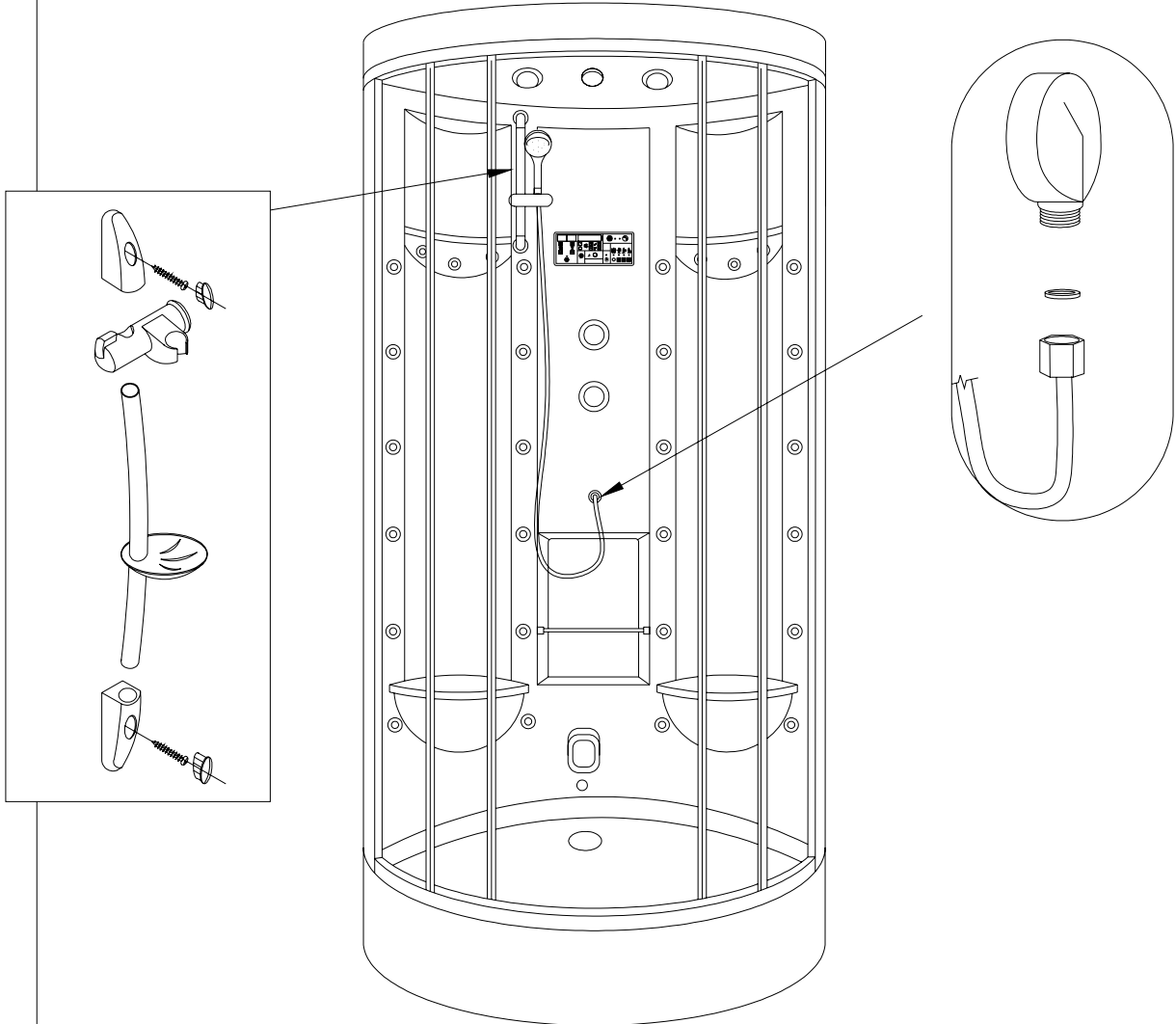
7



Put the PVC seals onto the sliding doors, and remove the screws of the wheels. Fix the sliding doors onto the unit, adjust the wheels, and make sure it slides smoothly.

## Install handheld shower

8



Fix shower riser rail and shower head ,monsoon shower head and connect control board.